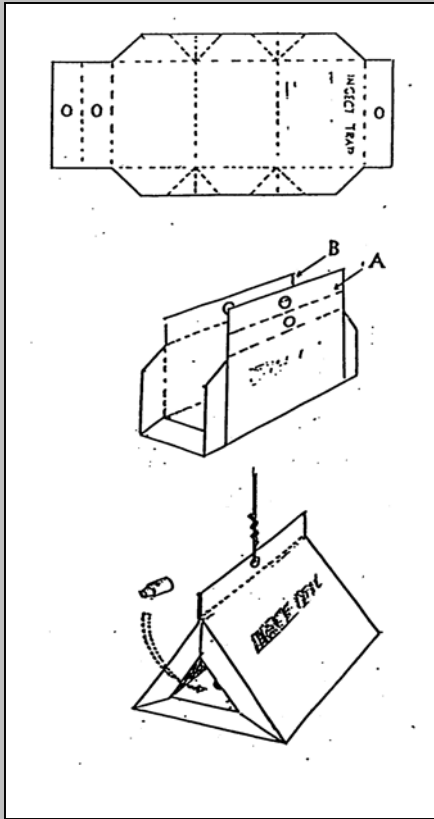


TRAP ASSEMBLY GUIDE

Delta 2 Trap



Step 1.

Traps are shipped in pairs with their glued faces together. Separate them and fold along the crease lines. Keep your hands away from the glue, since it is very sticky.

Step 2.

Fold the longer flap A over the top of flap B so that all three holes line up. You may also staple this top together if you wish. Twist the hanging tie through the holes to hold the trap together.

Step 3.

Remove the pheromone lure from its packet and place it onto the sticky floor of the trap. Fold the end flaps of the trap inwards, leaving a small triangular opening into the trap on each side. The trap is now ready to use.

Tips:

- Check the trap regularly and keep a record of how many insects you catch.
- Hang or place the trap out of reach of children. The glue is very sticky. (If needed, glue can be removed from hands with mineral spirits.)
- Leave the trap in position for as long as moths are being caught, but replace the pheromone lure with a new one after 6 weeks.
- After use, traps can be disposed of in the normal household garbage.

COOPER MILL LTD.

Tel. 613 473 4847

Fax 613 473 5080

ipm@coopermill.com

www.coopermill.com